



Easy Cut II

Guards / Wear Plates

General Information /
Mounting Instructions



Guards

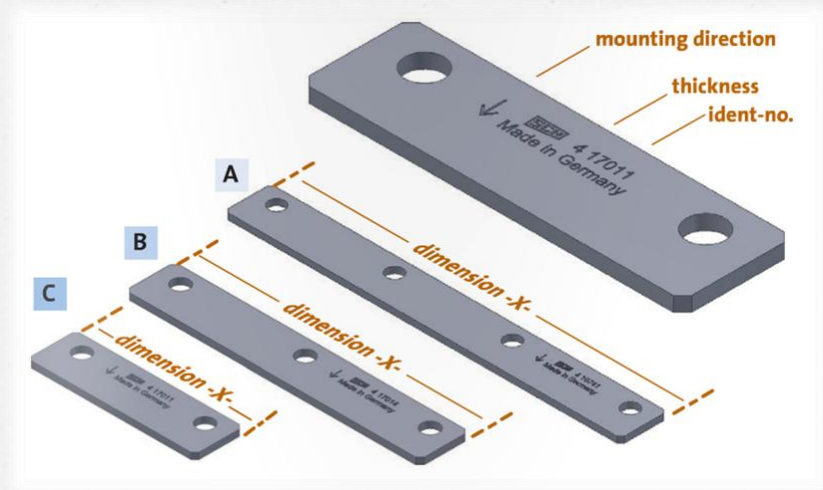
- Quality spring steel material
- Special hardening for extremely hard & wear resistant surface, resulting in long wear life
- Features two cutting edges
- Bolted top & bottom gives protection from impact from all sides





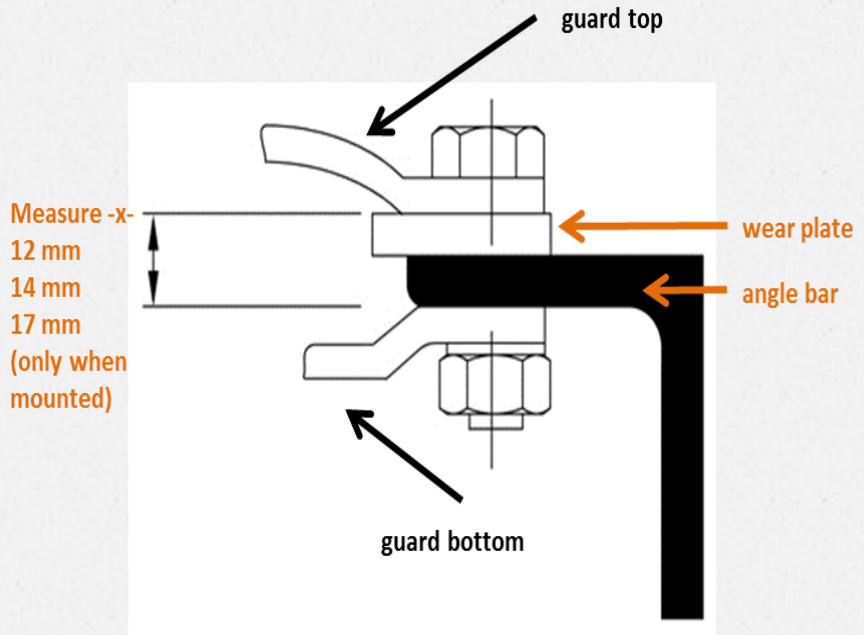
Wear Plates

The new shortened version wear plates available for Easy Cut II kits can be used in conjunction with top rollers in many hay applications



General Mounting Instructions

- Dimension -X-
 - Mounting dimension determines type of guard and thickness of spacer plate



Identification
type of guard

